

# Mini Electromagnetic Solenoid Lock Assembly For Electric Door Lock

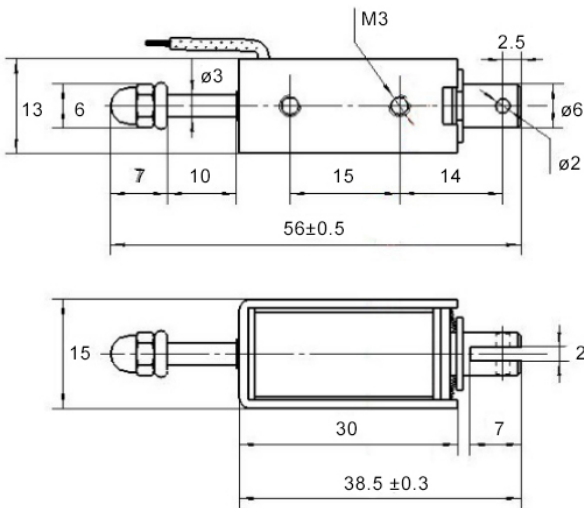


CB-95

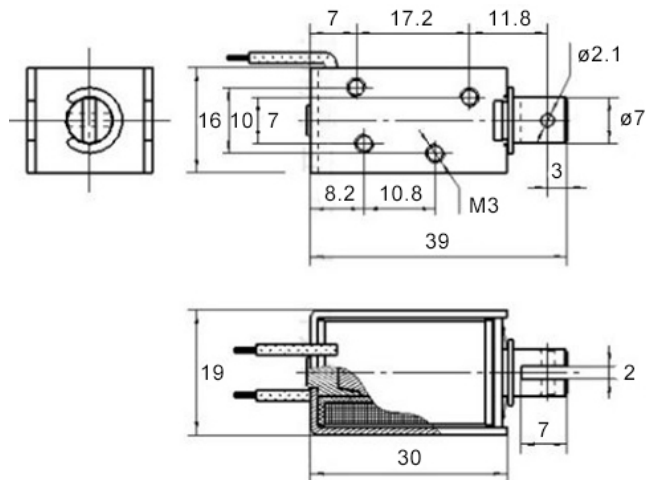
## Specifications

<b>Model No.</b>	CB-95A	CB-95B	CB-95C	CB-95D
<b>Voltage</b>	DC6V	DC12V	DC24V	DC12V
<b>Current</b>	1.4A	0.8A	0.8A	2.2A
<b>Total Tongue Length</b>	10mm			10mm
<b>Lock Tongue Diameter</b>	6mm			7mm
<b>Tongue Holding Force</b>	<=1N(100G)			<=1.5N(150G)
<b>Dimension</b>	30x13x15mm			30x16x19mm
<b>Power On</b>	<5S (Don't recommend to power on all the time)			

## Dimensions



CB-95A, CB-95B, CB-95C



CB-95D

